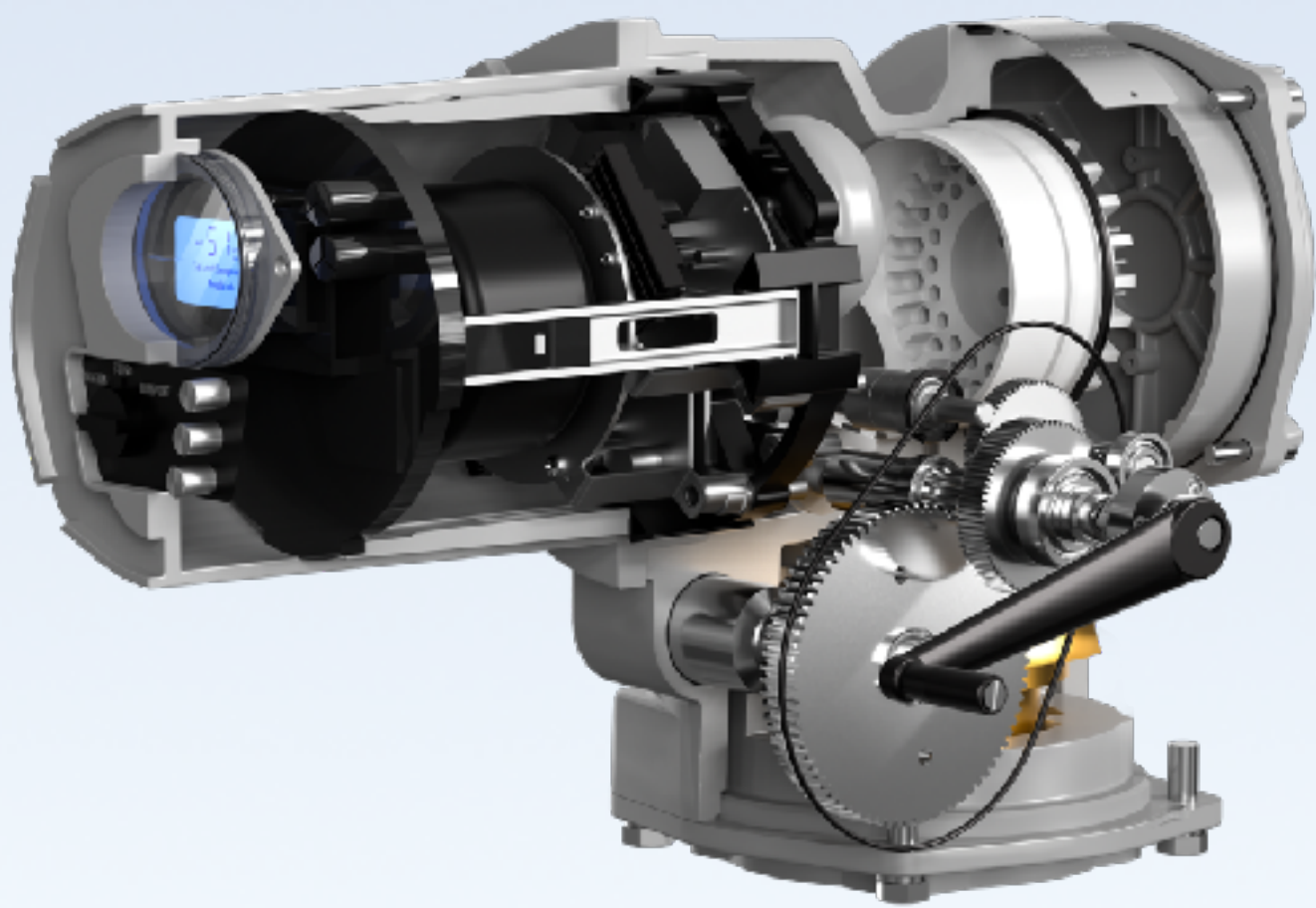


GREATORK Electric Actuator AVA Series Performance Data



AVAMD Linear



AVAT Quarter-turn



AVA Multi-turn



AVAR Smart Quarter-turn



More Download  www.greatorkpartners.com



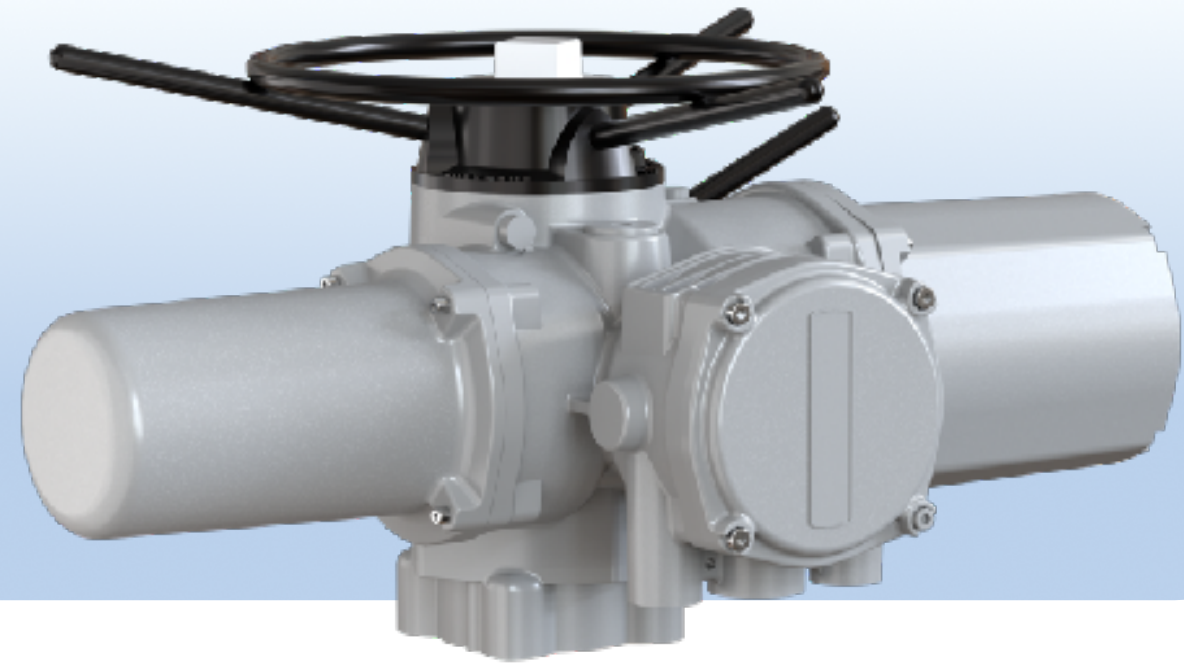
AVA

Multi-turn

Electric Valve Actuator

On/Off & Modulating

Technical Support



AVA series Performance Data (380V 3Phase 50Hz On/Off)

Model	Flange (ISO 5210)	RPM (50Hz)	Torque (Nm)	Motor Poles	Rated Current (A)	Starting Current (A)	Rated Power (KW)	Power Factor	Efficiency (%)	Weight (KG)
AVA01	F10	18	45	4	1.47	3.80	0.16	0.74	68	32
		24	45	4	1.48	3.80	0.17	0.74	68	32
		36	35	4	1.50	4.20	0.20	0.74	68	32
		48	35	4	1.60	4.20	0.18	0.74	68	32
		72	35	2	1.90	6.00	0.30	0.86	77	32
		96	30	2	2.00	6.00	0.38	0.86	77	32
AVA02	F10	18	80	4	1.66	4.80	0.21	0.78	66	32
		24	80	4	1.70	4.80	0.23	0.78	66	32
		36	80	4	1.72	4.80	0.24	0.78	66	32
		48	80	4	1.75	4.80	0.24	0.78	66	32
		72	45	2	2.20	6.50	0.38	0.87	77	32
		96	40	2	2.30	6.50	0.41	0.87	77	32
AVA03	F10	18	110	4	1.86	5.20	0.24	0.80	62	32
		24	110	4	1.95	5.20	0.28	0.80	62	32
AVA04	F14	18	250	4	3.90	16.00	0.67	0.83	78	52
		24	250	4	4.10	16.00	0.68	0.83	78	52
		36	205	4	4.20	16.00	0.87	0.83	78	52
		48	205	4	4.30	16.00	0.99	0.83	78	52
		72	160	2	3.00	20.00	0.70	0.88	83	52
		96	145	2	3.10	20.00	0.72	0.88	83	52
		144	100	2	5.20	24.00	1.05	0.90	80	52
AVA05	F14	18	450	4	5.40	18.00	0.73	0.83	69	52
		24	450	4	5.50	18.00	0.84	0.83	69	52
		36	300	4	5.60	18.00	0.84	0.83	69	52
		48	240	4	5.90	18.00	0.87	0.83	69	52
		72	240	2	5.70	25.00	0.92	0.82	73	52
		96	230	2	6.60	25.00	1.01	0.82	73	52
		144	150	2	6.30	28.00	1.19	0.82	77	52
AVA06	F16	18	650	4	7.20	35.00	1.35	0.80	79	75
		24	650	4	7.60	35.00	1.54	0.80	79	75
		36	540	4	7.74	35.00	1.36	0.80	79	75
		48	450	4	13.50	43.00	2.02	0.88	73	75
		72	450	2	12.50	43.00	1.67	0.88	73	75
		96	365	2	13.20	43.00	2.44	0.88	73	75
		144	270	2	13.00	43.00	2.43	0.88	73	75
AVA07	F25	18	1100	4	11.00	52.00	1.77	0.86	81	200
		24	1100	4	12.00	52.00	2.17	0.86	81	200
		36	780	4	12.30	52.00	2.73	0.86	81	200
		48	680	4	15.80	88.00	3.00	0.85	82	200
		72	550	2	16.60	88.00	3.65	0.85	82	200
		96	550	2	17.80	88.00	3.83	0.85	82	200
AVA08	F30	18	1500	4	10.50	67.00	2.17	0.87	88	230
		24	1500	4	12.60	67.00	2.40	0.87	88	230
		36	1300	4	13.80	67.00	3.13	0.87	88	230
		48	1000	4	19.00	118.00	4.08	0.89	86	230
		72	800	2	19.50	118.00	4.42	0.89	86	230
		96	745	2	21.00	118.00	4.58	0.89	86	230
AVA09	F30	18	2000	4	18.50	93.00	3.74	0.86	83	230
		24	2000	4	20.00	93.00	4.61	0.86	83	230
		36	1700	4	22.00	93.00	5.00	0.86	83	230
		48	1350	4	21.00	120.00	3.98	0.85	81	230
		72	1100	2	23.00	120.00	4.84	0.85	81	230
		96	1000	2	25.00	120.00	5.10	0.85	81	230
AVA09.1	F30	24	2500	4	25.00	120.00	5.46	0.93	84	230
		36	2500	4	26.00	120.00	5.71	0.93	84	230
AVA10	F30	24	3000	4	29.00	105.00	5.32	0.88	83	230

AVA series Performance Data (380V 3Phase 60Hz On/Off)

Model	Flange (ISO 5210)	RPM (60Hz)	Torque (Nm)	Motor Poles	Rated Current (A)	Starting Current (A)	Rated Power (KW)	Power Factor	Efficiency (%)	Weight (KG)
AVA01	F10	21	45	4	1.53	4.20	0.18	0.80	70	32
		29	45	4	1.55	4.20	0.19	0.80	70	32
		43	35	4	1.57	4.50	0.22	0.80	70	32
		57	35	4	1.60	4.50	0.20	0.80	70	32
		86	35	2	1.86	5.50	0.30	0.90	78	32
		115	30	2	2.05	5.50	0.39	0.90	78	32
AVA02	F10	21	80	4	1.70	4.60	0.24	0.81	67	32
		29	80	4	1.73	4.60	0.26	0.81	67	32
		43	80	4	1.77	4.60	0.27	0.81	67	32
		57	80	4	1.82	4.60	0.28	0.81	67	32
		86	45	2	2.30	6.10	0.41	0.90	75	32
		115	40	2	2.35	6.10	0.47	0.90	75	32
AVA03	F10	21	110	4	1.85	5.20	0.25	0.81	66	32
		29	110	4	1.92	5.20	0.29	0.81	66	32
AVA04	F14	21	250	4	3.95	14.00	0.69	0.84	78	52
		29	250	4	4.15	14.00	0.70	0.84	78	52
		43	205	4	4.24	14.00	0.92	0.84	78	52
		57	205	4	4.36	14.00	1.02	0.84	78	52
		86	160	2	3.50	19.00	0.74	0.90	83	52
		115	145	2	3.60	19.00	0.78	0.90	83	52
		173	100	2	5.40	23.00	1.08	0.89	82	52
AVA05	F14	21	450	4	5.50	17.00	0.75	0.80	71	52
		29	450	4	5.60	17.00	0.88	0.80	71	52
		43	300	4	5.80	17.00	0.87	0.80	71	52
		57	240	4	6.10	17.00	0.90	0.80	71	52
		86	240	2	6.00	15.80	1.02	0.81	82	52
		115	230	2	8.00	15.80	1.29	0.81	82	52
		173	150	2	6.60	26.00	1.23	0.81	76	52
AVA06	F16	21	650	4	7.50	29.00	1.44	0.84	79	75
		29	650	4	7.80	29.00	1.63	0.84	79	75
		43	540	4	8.00	29.00	1.44	0.84	79	75
		57	450	4	14.60	41.00	2.05	0.80	70	75
		86	350	2	12.80	41.00	1.67	0.80	70	75
		115	365	2	13.50	41.00	2.41	0.80	70	75
		173	270	2	14.50	41.00	2.50	0.80	70	75
AVA07	F25	21	1100	4	11.50	44.00	1.80	0.91	82	200
		29	1100	4	12.60	44.00	2.21	0.91	82	200
		43	780	4	13.00	44.00	2.79	0.91	82	200
		57	680	4	16.50	76.00	3.28	0.89	80	200
		86	550	2	17.30	76.00	3.87	0.89	80	200
		115	550	2	18.20	76.00	4.00	0.89	80	200
AVA08	F30	21	1500	4	11.50	90.00	2.24	0.88	84	230
		29	1500	4	13.80	90.00	2.72	0.88	84	230
		43	1300	4	15.00	90.00	3.36	0.88	84	230
		57	1000	4	20.00	93.00	4.16	0.90	85	230
		86	800	2	21.00	93.00	4.55	0.90	85	230
		115	745	2	22.00	93.00	4.60	0.90	85	230
AVA09	F30	21	2000	4	19.50	97.00	4.18	0.87	84	230
		29	2000	4	21.00	97.00	4.70	0.87	84	230
		43	1700	4	23.00	97.00	5.50	0.87	84	230
		57	1350	4	22.00	95.00	4.10	0.86	83	230
		86	1100	2	24.00	95.00	4.93	0.86	83	230
		115	800	2	26.00	95.00	5.37	0.86	83	230
AVA09.1	F30	29	2500	4	26.00	95.00	5.29	0.85	81	230
		43	2500	4	26.50	95.00	5.38	0.85	81	230
AVA10	F30	29	3000	4	33.00	102.00	5.51	0.84	82	230

AVA Series Performance Data (220V 1Phase 50Hz On/Off)

Model	Flange (ISO 5210)	RPM (50Hz)	Torque (Nm)	Motor Poles	Rated Current (A)	Starting Current (A)	Rated Power (KW)	Power Factor	Efficiency (%)	Weight (KG)
AVA03	F10	18	65	4	2.30	4.30	0.20	0.96	61	32
		24	60	4	2.30	4.30	0.20	0.96	61	32
AVA04	F14	18	165	4	6.70	16.30	0.45	0.95	73	52
		24	140	4	6.70	16.30	0.49	0.95	73	52
		36	130	4	6.70	16.30	0.50	0.95	73	52
		48	125	4	6.70	16.30	0.50	0.95	73	52
		72	80	2	9.00	24.00	0.80	0.96	71	52
		96	60	2	9.00	24.00	0.73	0.96	71	52
AVA05	F14	18	200	4	8.00	17.80	0.63	0.97	72	52
		24	200	4	8.00	17.80	0.63	0.97	72	52
		36	150	4	8.00	17.80	0.76	0.97	72	52
		48	130	4	8.00	17.80	0.76	0.97	72	52
		72	100	2	11.50	26.00	0.87	0.96	71	52
		96	70	2	11.50	26.00	0.87	0.96	71	52
AVA06	F16	18	400	4	12.60	39.00	1.17	0.97	76	75
		24	350	4	12.60	39.00	1.17	0.97	76	75
		36	300	4	12.60	39.00	1.17	0.97	76	75
		48	270	4	12.60	39.00	1.04	0.97	76	75
		72	200	2	16.00	45.00	1.36	0.95	74	75
		96	170	2	16.00	45.00	1.33	0.95	74	75

AVA series Performance Data (220V 1Phase 60Hz On/Off)

Model	Flange (ISO 5210)	RPM (60Hz)	Torque (Nm)	Motor Poles	Rated Current (A)	Starting Current (A)	Rated Power (KW)	Power Factor	Efficiency (%)	Weight (KG)
AVA03	F10	21	65	4	2.10	4.20	0.21	0.95	68	32
		29	60	4	2.10	4.20	0.21	0.95	68	32
AVA04	F14	21	165	4	7.50	13.00	0.59	0.94	73	52
		29	140	4	7.50	13.00	0.60	0.94	73	52
		43	130	4	7.50	13.00	0.61	0.94	73	52
		57	125	4	7.50	13.00	0.61	0.94	73	52
		86	80	2	9.80	23.00	0.91	0.92	77	52
		115	60	2	9.80	23.00	0.84	0.92	77	52
AVA05	F14	21	200	4	8.30	15.00	0.68	0.97	73	52
		29	200	4	8.30	15.00	0.68	0.97	73	52
		43	150	4	8.30	15.00	0.82	0.97	73	52
		57	130	4	8.30	15.00	0.82	0.97	73	52
		86	100	2	12.70	24.00	1.04	0.96	68	52
		115	70	2	12.70	24.00	1.04	0.96	68	52
AVA06	F16	21	400	4	14.00	28.70	1.31	0.98	74	75
		29	350	4	14.00	28.70	1.31	0.98	74	75
		43	300	4	14.00	28.70	1.31	0.98	74	75
		57	270	4	14.00	28.70	1.18	0.98	74	75
		86	200	2	19.00	41.00	1.46	0.96	71	75
		115	170	2	19.00	41.00	1.43	0.96	71	75

Modulating

AVAM
Multi-turn
Electric Valve Actuator

AVAM series Performance Data (380V 3Phase 50Hz Modulating)

Model	Flange (ISO 5210)	RPM (50Hz)	Torque (Nm)	Motor Poles	Rated Current (A)	Starting Current (A)	Rated Power (KW)	Power Factor	Efficiency (%)	Weight (KG)
AVAM02	F10	18	50	4	1.46	4.00	0.22	0.75	70	32
		24	50	4	1.50	4.00	0.23	0.75	70	32
		36	50	4	1.53	4.00	0.25	0.75	70	32
		48	40	4	1.60	4.00	0.26	0.75	70	32
		72	25	2	2.00	5.80	0.41	0.82	78	32
AVAM03	F10	18	90	4	1.65	4.70	0.28	0.78	66	32
		24	90	4	1.68	4.70	0.29	0.78	66	32
AVAM04	F14	18	180	4	3.50	15.00	0.98	0.80	79	52
		24	180	4	3.75	15.00	1.17	0.80	79	52
		36	125	4	3.90	15.00	1.27	0.80	79	52
		48	125	4	4.00	15.00	1.23	0.80	79	52
		72	80	2	3.00	20.00	1.17	0.88	83	52
AVAM05	F14	18	360	4	4.00	17.00	1.33	0.81	78	52
		24	360	4	4.10	17.00	1.38	0.81	78	52
		36	240	4	4.18	17.00	1.31	0.81	78	52
		48	200	4	4.26	17.00	1.46	0.81	78	52
		72	140	2	4.50	25.00	1.60	0.90	81	52
AVAM06	F16	18	600	4	7.80	31.00	1.62	0.81	80	75
		24	600	4	8.30	31.00	1.87	0.81	80	75
		36	300	4	6.50	31.00	1.95	0.81	80	75
		48	260	4	6.30	38.00	1.74	0.89	82	75
		72	220	2	6.50	38.00	1.86	0.89	82	75

AVAM series Performance Data (380V 3Phase 60Hz Modulating)

Model	Flange (ISO 5210)	RPM (60Hz)	Torque (Nm)	Motor Poles	Rated Current (A)	Starting Current (A)	Rated Power (KW)	Power Factor	Efficiency (%)	Weight (KG)
AVAM02	F10	21	50	4	1.52	4.20	0.24	0.79	68	32
		29	50	4	1.58	4.20	0.25	0.79	68	32
		43	50	4	1.62	4.20	0.27	0.79	68	32
		57	40	4	1.71	4.20	0.30	0.79	68	32
		86	25	2	2.10	8.00	0.48	0.90	77	32
AVAM03	F10	21	90	4	1.62	4.60	0.28	0.80	65	32
		29	90	4	1.75	4.60	0.31	0.80	65	32
AVAM04	F14	21	180	4	3.80	14.00	0.99	0.83	79	52
		29	180	4	3.96	14.00	1.15	0.83	79	52
		43	125	4	4.17	14.00	1.27	0.83	79	52
		57	125	4	4.25	14.00	1.25	0.83	79	52
		86	80	2	3.30	18.00	1.16	0.90	84	52
AVAM05	F14	21	360	4	4.10	16.50	1.29	0.84	78	52
		29	360	4	4.16	16.50	1.33	0.84	78	52
		43	240	4	4.23	16.50	1.26	0.84	78	52
		57	200	4	4.41	16.50	1.35	0.84	78	52
		86	140	2	4.80	23.00	1.52	0.91	81	52
AVAM06	F16	21	480	4	6.20	29.00	1.50	0.84	80	75
		29	480	4	6.40	29.00	1.76	0.84	80	75
		43	300	4	6.80	29.00	1.88	0.84	80	75
		57	260	4	6.60	35.00	1.73	0.90	82	75
		86	220	2	6.90	35.00	1.88	0.90	82	75

Modulating

AVAM
Multi-turn
Electric Valve Actuator

AVAM Series Performance Data (220V 1Phase 50Hz Modulating)

Model	Flange (ISO 5210)	RPM (50Hz)	Torque (Nm)	Motor Poles	Rated Current (A)	Starting Current (A)	Rated Power (KW)	Power Factor	Efficiency (%)	Weight (KG)
AVAM03	F10	18	40	4	1.80	4.00	0.14	0.98	62	32
		24	40	4	1.80	4.00	0.14	0.98	62	32
AVAM04	F14	18	100	4	6.40	16.00	0.41	0.93	66	52
		24	85	4	6.40	16.00	0.41	0.93	66	52
		36	70	4	6.40	16.00	0.42	0.93	66	52
		48	60	4	6.40	16.00	0.42	0.93	66	52
		72	50	2	8.20	24.00	0.67	0.98	78	52
AVAM05	F14	18	120	4	7.20	17.00	0.53	0.98	74	52
		24	120	4	7.20	17.00	0.53	0.98	74	52
		36	90	4	7.20	17.00	0.65	0.98	74	52
		48	80	4	7.20	17.00	0.65	0.98	74	52
		72	60	2	9.60	25.00	0.85	0.97	79	52
AVAM06	F16	18	240	4	11.30	26.00	1.07	0.96	75	75
		24	210	4	11.30	26.00	1.07	0.96	75	75
		36	180	4	11.30	26.00	0.96	0.96	75	75
		48	160	4	14.50	41.00	1.15	0.99	84	75
		72	140	2	14.50	41.00	1.15	0.99	84	75

AVAM Series Performance Data (220V 1Phase 60Hz Modulating)

Model	Flange (ISO 5210)	RPM (60Hz)	Torque (Nm)	Motor Poles	Rated Current (A)	Starting Current (A)	Rated Power (KW)	Power Factor	Efficiency (%)	Weight (KG)
AVAM03	F10	21	40	4	1.90	3.90	0.15	0.98	63	32
		29	40	4	1.90	3.90	0.15	0.98	63	32
AVAM04	F14	21	100	4	7.30	13.00	0.47	0.98	73	52
		29	85	4	7.30	13.00	0.47	0.98	73	52
		43	70	4	7.30	13.00	0.48	0.98	73	52
		57	60	4	7.30	13.00	0.48	0.98	73	52
		86	50	2	10.00	22.00	0.78	0.96	78	52
AVAM05	F14	21	120	4	7.60	14.00	0.57	0.97	75	52
		29	120	4	7.60	14.00	0.57	0.97	75	52
		43	90	4	7.60	14.00	0.69	0.97	75	52
		57	80	4	7.60	14.00	0.69	0.97	75	52
		86	60	2	11.00	24.00	0.90	0.96	75	52
AVAM06	F16	21	240	4	13.00	25.00	1.10	0.98	78	75
		29	210	4	13.00	25.00	1.10	0.98	78	75
		43	180	4	13.00	25.00	0.99	0.98	78	75
		57	160	4	18.00	39.00	1.23	0.95	76	75
		86	140	2	18.00	39.00	1.23	0.95	76	75

AVA&AVAM Series Actuator Mechanical Interface Size

Model		AVA01 AVA02 AVA03	AVA04 AVA05	AVA06	AVA07	AVA08	AVA09	AVA 09.1	AVA 10	AVA 10G
Flange	ISO5210	F10	F14	F16	F25	F30	F30	F30	F30	F30
	MSS SP-102	FA10	FA14	FA16	FA25	FA30	FA30	FA30	FA30	FA30
Stem acceptance diameter										
Type 'A'(max) rising	mm	32	38	54	64	70	70	70	70	70
Non-rising	mm	26	32	45	51	57	57	57	57	57
Type 'Z'(max) rising	mm	-	51	67	73	83	83	83	83	83
Non-rising	mm	-	38	51	57	73	73	73	73	73
Type 'Z3'	mm	32	51	67	-	-	-	-	-	-
Type 'B1' (fixed bore)	mm	42	60	80	100	100	120	120	120	120
Type 'B3' (fixed bore)	mm	20+	30+	40+	50	50	50	50	50	50
Type 'B4' (maximum)	mm	20+	30+	44+	50	60	60	60	60	60



Download Center:

<https://www.greatorkpartners.com/download>



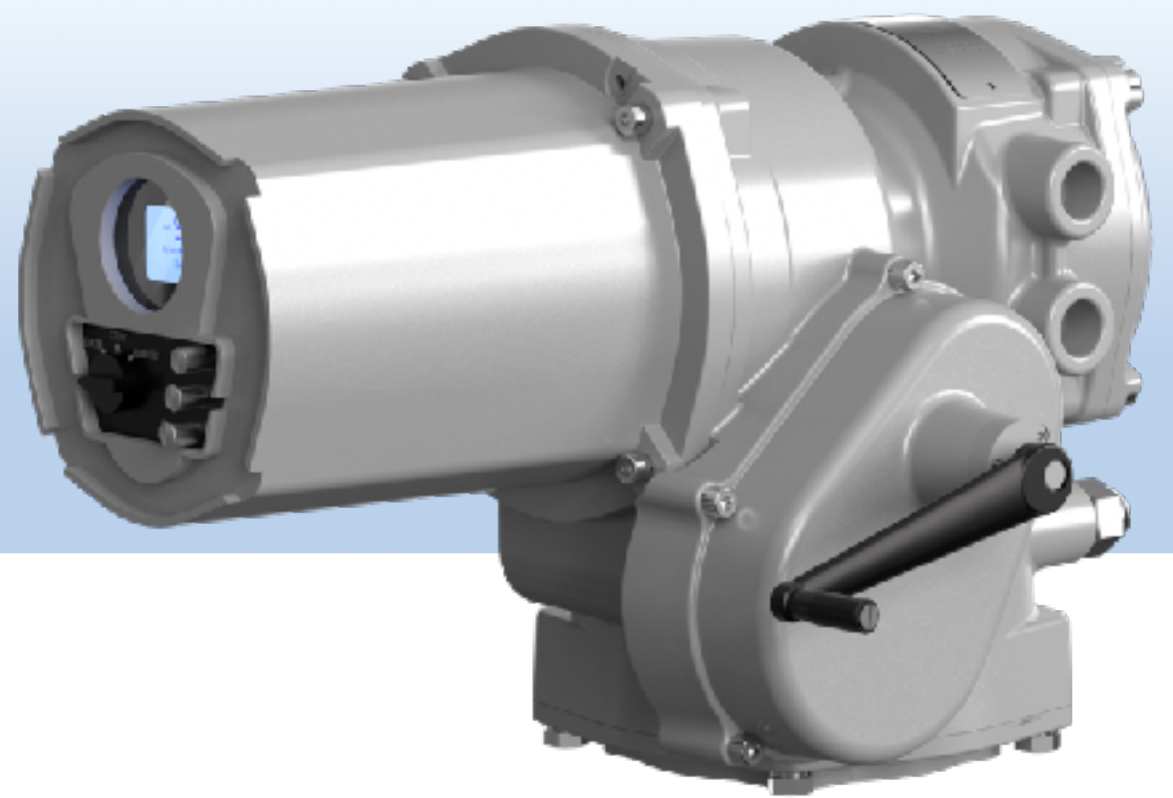
AVAT

Quarter-turn

Electric Valve Actuator

On/Off & Modulating

Technical Support



AVAT Series Performance Data (380V 3Phase 50Hz On/Off)

Model	Flange (ISO 5211)	Stem Dia (mm)		90°time (s)	Torque (Nm)	Motor Poles	Rated Current (A)	Starting Current (A)	Rated Power (KW)	Power Factor	Efficiency (%)	Weigh (KG)
		Key	Square									
AVAT01	F07	28	19	18-20	125	2	0.47	1.20	0.05	0.80	53	24
AVAT02	F07	28	19	18-20	250	2	0.49	1.20	0.05	0.80	53	24
	F10	42	27									
AVAT03	F10	42	27	26-30	500	2	0.53	1.30	0.06	0.78	56	35
AVAT04	F12	50	32	27-30	1000	2	0.56	1.30	0.06	0.78	56	35
	F14	60	36									
AVAT05	F12	50	32	46-50	1500	2	0.60	1.30	0.06	0.76	51	35
	F14	60	36									
AVAT06	F14	60	36	58-60	2000	2	0.62	1.30	0.06	0.76	51	35

AVAT Series Performance Data (380V 3Phase 60Hz On/Off)

Model	Flange (ISO 5211)	Stem Dia (mm)		90°time (s)	Torque (Nm)	Motor Poles	Rated Current (A)	Starting Current (A)	Rated Power (KW)	Power Factor	Efficiency (%)	Weigh (KG)
		Key	Square									
AVAT01	F07	28	19	16-18	125	2	0.50	1.20	0.07	0.72	67	24
AVAT02	F07	28	19	16-18	250	2	0.56	1.20	0.07	0.72	67	24
	F10	42	27									
AVAT03	F10	42	27	19-22	500	2	0.59	1.20	0.07	0.74	67	35
AVAT04	F12	50	32	23-26	1000	2	0.62	1.20	0.07	0.74	67	35
	F14	60	36									
AVAT05	F12	50	32	42-45	1500	2	0.65	1.20	0.08	0.76	66	35
	F14	60	36									
AVAT06	F14	60	36	45-50	2000	2	0.69	1.20	0.08	0.76	66	35

AVAT Series Performance Data (220V 1Phase 50Hz On/Off)

Model	Flange (ISO 5211)	Stem Dia (mm)		90°time (s)	Torque (Nm)	Motor Poles	Rated Current (A)	Starting Current (A)	Rated Power (KW)	Power Factor	Efficiency (%)	Weigh (KG)
		Key	Square									
AVAT01	F07	28	19	14-16	100	2	1.60	5.00	0.08	0.96	67	24
AVAT02	F07	28	19	18-20	200	2	1.60	5.00	0.08	0.96	67	24
	F10	42	27									
AVAT03	F10	42	27	18-20	400	2	1.86	5.00	0.09	0.96	69	35
AVAT04	F12	50	32	25-30	800	2	1.86	5.00	0.10	0.96	69	35
	F14	60	36									
AVAT05	F12	50	32	27-30	1200	2	1.70	5.00	0.10	0.96	68	35
	F14	60	36									
AVAT06	F14	60	36	58-62	1600	2	1.70	5.00	0.10	0.96	68	35

AVAT Series Performance Data (220V 1Phase 60Hz On/Off)

Model	Flange (ISO 5211)	Stem Dia (mm)		90°time (s)	Torque (Nm)	Motor Poles	Rated Current (A)	Starting Current (A)	Rated Power (KW)	Power Factor	Efficiency (%)	Weigh (KG)
		Key	Square									
AVAT01	F07	28	19	13-15	100	2	1.70	4.60	0.09	0.95	70	24
AVAT02	F07	28	19	16-18	200	2	1.70	4.60	0.09	0.95	70	24
	F10	42	27									
AVAT03	F10	42	27	16-18	400	2	1.98	4.60	0.10	0.95	72	35
AVAT04	F12	50	32	19-22	800	2	1.98	4.60	0.11	0.95	72	35
	F14	60	36									
AVAT05	F12	50	32	23-26	1200	2	1.92	4.60	0.10	0.94	73	35
	F14	60	36									
AVAT06	F14	60	36	45-50	1600	2	1.92	4.60	0.10	0.94	73	35

Modulating

AVATM
Quarter-turn
Electric Valve Actuator

AVATM Series Performance Data (380V 3Phase 50Hz Modulating)

Model	Model	Flange (ISO 5211)	Stem Dia (mm)		90°time (s)	Torque (Nm)	Motor Poles	Rated Current (A)	Starting Current (A)	Rated Power (KW)	Power Factor	Efficiency (%)
			Key	Square								
AVATM01	F07	28	19	18-20	125	2	0.42	1.10	0.05	0.80	57	24
AVATM02	F07	28	19	18-20	215	2	0.45	1.10	0.05	0.80	57	24
	F10	42	27									
AVATM03	F10	42	27	26-30	300	2	0.50	1.20	0.06	0.80	57	35
AVATM04	F12	50	32	27-30	700	2	0.53	1.20	0.06	0.79	59	35
	F14	60	36									
AVATM05	F12	50	32	46-50	1100	2	0.57	1.20	0.07	0.84	55	35
	F14	60	36									
AVATM06	F14	60	36	58-60	1500	2	0.60	1.20	0.07	0.84	55	35

AVATM Series Performance Data (380V 3Phase 60Hz Modulating)

Model	Model	Flange (ISO 5211)	Stem Dia (mm)		90°time (s)	Torque (Nm)	Motor Poles	Rated Current (A)	Starting Current (A)	Rated Power (KW)	Power Factor	Efficiency (%)
			Key	Square								
AVATM01	F07	28	19	16-18	125	2	0.45	1.10	0.07	0.75	70	24
AVATM02	F07	28	19	16-18	215	2	0.48	1.10	0.07	0.75	70	24
	F10	42	27									
AVATM03	F10	42	27	19-22	300	2	0.53	1.20	0.08	0.73	69	35
AVATM04	F12	50	32	23-26	700	2	0.58	1.20	0.08	0.73	69	35
	F14	60	36									
AVATM05	F12	50	32	42-45	1100	2	0.61	1.20	0.08	0.72	67	35
	F14	60	36									
AVATM06	F14	60	36	45-50	1500	2	0.66	1.20	0.08	0.72	67	35

Modulating

AVATM
Quarter-turn
Electric Valve Actuator

AVATM Series Performance Data (220V 1Phase 50Hz Modulating)

Model	Flange (ISO 5211)	Stem Dia (mm)		90°time (s)	Torque (Nm)	Motor Poles	Rated Current (A)	Starting Current (A)	Rated Power (KW)	Power Factor	Efficiency (%)	Weigh (KG)
		Key	Square									
AVAT01	F07	28	19	13-15	100	2	1.70	4.60	0.09	0.95	70	24
AVAT02	F07	28	19	16-18	200	2	1.70	4.60	0.09	0.95	70	24
	F10	42	27									
AVAT03	F10	42	27	16-18	400	2	1.98	4.60	0.10	0.95	72	35
AVAT04	F12	50	32	19-22	800	2	1.98	4.60	0.11	0.95	72	35
	F14	60	36									
AVAT05	F12	50	32	23-26	1200	2	1.92	4.60	0.10	0.94	73	35
	F14	60	36									
AVAT06	F14	60	36	45-50	1600	2	1.92	4.60	0.10	0.94	73	35

AVATM Series Performance Data (220V 1Phase 60Hz Modulating)

Model	Flange (ISO 5211)	Stem Dia (mm)		90°time (s)	Torque (Nm)	Motor Poles	Rated Current (A)	Starting Current (A)	Rated Power (KW)	Power Factor	Efficiency (%)	Weigh (KG)
		Key	Square									
AVATM01	F07	28	19	13-15	100	2	1.65	4.50	0.10	0.96	77	24
AVATM02	F07	28	19	16-18	150	2	1.65	4.50	0.10	0.96	77	24
	F10	42	27									
AVATM03	F10	42	27	16-18	200	2	1.85	4.50	0.12	0.95	78	35
AVATM04	F12	50	32	19-22	600	2	1.85	4.50	0.12	0.95	78	35
	F14	60	36									
AVATM05	F12	50	32	23-26	1000	2	1.76	4.50	0.12	0.95	79	35
	F14	60	36									
AVATM06	F14	60	36	45-50	1300	2	1.76	4.50	0.12	0.95	79	35



Download Center:

<https://www.greatorkpartners.com/download>



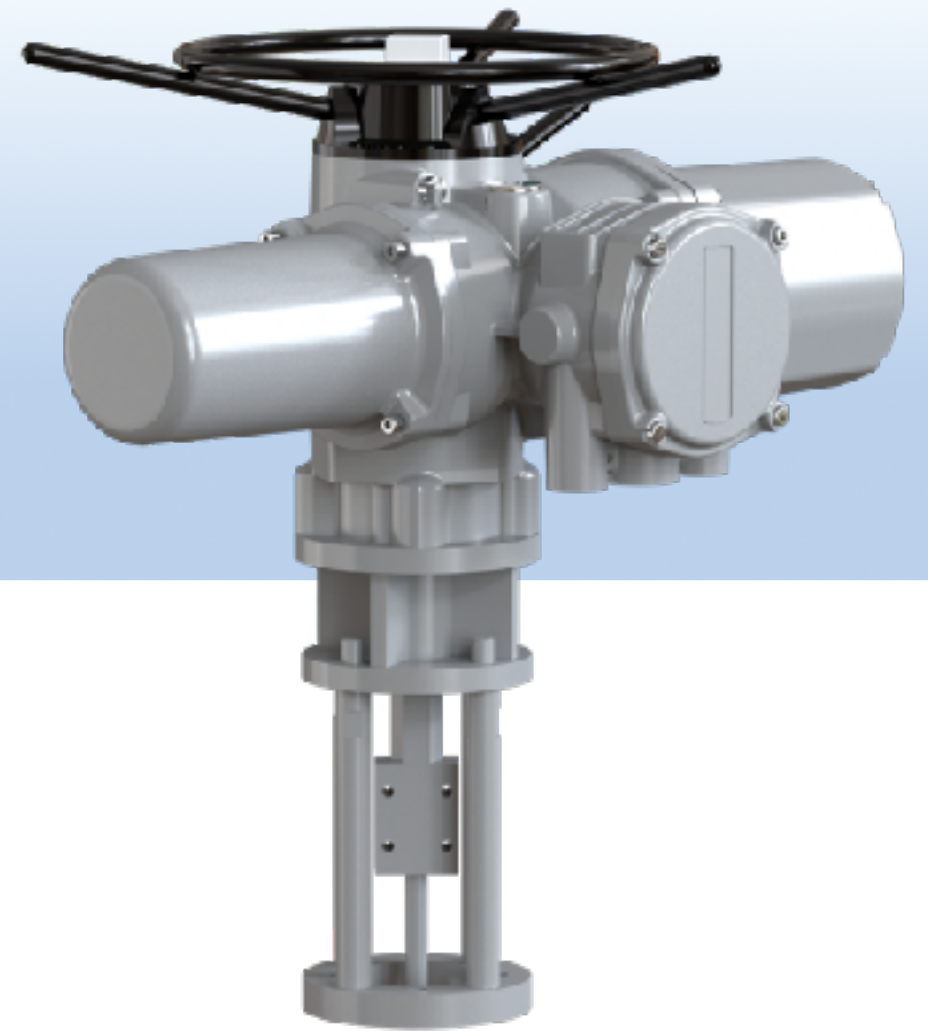
AVAMD

Linear

Electric Valve Actuator

Modulating

Technical Support



Modulating

AVAMD
Linear
Electric Valve Actuator

AVAMD Series Performance Data (380V 3Phase 50Hz) - AVAMD 01 / 03 / 04 / 05

Model	AVAMD01			AVAMD03		
Flange	F10			F10		
Worm shaft diameter/ thread	25/3			25/3		
Max.Linear stroke	115					
Speed(rpm)	Linear speed (mm/sec)	Modulating Thrust(KN)	Rating Seat Thrust(KN)	Linear speed (mm/sec)	Modulating Thrust(KN)	Rating Seat Thrust(KN)
18	0.9	8.1	16.1	0.9	15.9	28.59
24	1.2	8.1	16.1	1.2	15.9	25.42
36	1.8	7.9	15.0	1.8	14.3	25.42
48	2.4	7.7	14.7	2.4	12.7	22.26
72	-	-	-	-	-	-

Model	AVAMD04			AVAMD04		
Flange	F14			F14		
Worm shaft diameter/ thread	33/7			38/15		
Max.Linear stroke	115					
Speed(rpm)	Linear speed (mm/sec)	Modulating Thrust(KN)	Rating Seat Thrust(KN)	Linear speed (mm/sec)	Modulating Thrust(KN)	Rating Seat Thrust(KN)
18	2.1	24.26	36.4	5.4	16.7	25.1
24	2.8	24.26	36.4	7.2	16.7	25.1
36	4.2	20.22	24.3	10.8	13.9	16.7
48	5.6	16.17	20.2	14.4	11.1	13.9
72	8.4	14.15	16.1	21.6	8.9	11.1

Model	AVAMD05					
Flange	F14					
Worm shaft diameter/ thread	33/7			38/15		
Max.Linear stroke	115					
Speed(rpm)	Linear speed (mm/sec)	Modulating Thrust(KN)	Rating Seat Thrust(KN)	Linear speed (mm/sec)	Modulating Thrust(KN)	Rating Seat Thrust(KN)
18	2.5	45.5	60.7	5.4	31.3	41.7
24	3.4	45.5	60.7	7.3	31.3	41.7
36	5.0	38.4	48.5	10.8	26.4	33.3
48	6.8	30.3	40.4	14.4	20.85	27.8
72	10.1	30.3	40.4	21.6	20.85	27.8



Download Center:

<https://www.greatorkpartners.com/download>



AVAR Smart

Quarter-turn

Electric Valve Actuator

On/Off & Modulating Technical Support



AVAR Series Performance Data (380V 3Phase 50Hz On/Off)

Model	Specification	Flange (ISO 5211)	Time (S)	Torque (Nm)	Motor Poles	Rated Current (A)	Starting Current (A)	Rated Power (KW)	Power Factor	Efficiency (%)	Weight (KG)
AVAR200	AVAR5	F05/F07	20	50	4	0.50	1.60	0.05	0.83	57	14
	AVAR10	F05/F07	20	100	4	0.53	1.60	0.05	0.83	57	14
	AVAR15	F05/F07	20	150	4	0.56	1.60	0.05	0.83	57	14
	AVAR20	F05/F07	20	200	4	0.62	1.60	0.05	0.83	57	14
AVAR500	AVAR30	F07/F10	30	300	4	1.03	2.20	0.08	0.74	61	17
	AVAR40	F07/F10	30	400	4	1.08	2.20	0.08	0.74	61	17
	AVAR50	F07/F10	30	500	4	1.12	2.20	0.09	0.74	61	17

AVAR Series Performance Data (380V 3Phase 60Hz On/Off)

Model	Specification	Flange (ISO 5211)	Time (S)	Torque (Nm)	Motor Poles	Rated Current (A)	Starting Current (A)	Rated Power (KW)	Power Factor	Efficiency (%)	Weight (KG)
AVAR200	AVAR5	F05/F07	17	50	4	0.51	1.50	0.05	0.72	67	14
	AVAR10	F05/F07	17	100	4	0.54	1.50	0.05	0.72	67	14
	AVAR15	F05/F07	17	150	4	0.58	1.50	0.05	0.72	67	14
	AVAR20	F05/F07	17	200	4	0.63	1.50	0.05	0.72	67	14
AVAR500	AVAR30	F07/F10	26	300	4	0.95	1.90	0.08	0.75	64	17
	AVAR40	F07/F10	26	400	4	1.02	1.90	0.08	0.75	64	17
	AVAR50	F07/F10	26	500	4	1.12	1.90	0.08	0.75	64	17

Note:Wiring and airbreak switch selection should refer to current(A) data of actuators.

AVAR Series Performance Data (220V 1Phase 50Hz On/Off)

Model	Specification	Flange (ISO 5211)	Time (S)	Torque (Nm)	Motor Poles	Rated Current (A)	Starting Current (A)	Rated Power (KW)	Power Factor	Efficiency (%)	Weight (KG)
AVAR200	AVAR5	F05/F07	20	40	4	0.86	1.20	0.03	0.96	52	14
	AVAR10	F05/F07	20	60	4	0.86	1.20	0.03	0.96	52	14
	AVAR15	F05/F07	20	80	4	0.86	1.20	0.03	0.96	52	14
	AVAR20	F05/F07	20	100	4	0.86	1.20	0.03	0.96	52	14
AVAR500	AVAR30	F07/F10	30	150	4	1.30	2.20	0.05	0.96	58	17
	AVAR40	F07/F10	30	175	4	1.30	2.20	0.05	0.96	58	17
	AVAR50	F07/F10	30	220	4	1.30	2.20	0.05	0.96	58	17

AVAR Series Performance Data (220V 1Phase 60Hz On/Off)

Model	Specification	Flange (ISO 5211)	Time (S)	Torque (Nm)	Motor Poles	Rated Current (A)	Starting Current (A)	Rated Power (KW)	Power Factor	Efficiency (%)	Weight (KG)
AVAR200	AVAR5	F05/F07	17	40	4	0.90	1.10	0.04	0.94	70	14
	AVAR10	F05/F07	17	60	4	0.90	1.10	0.04	0.94	70	14
	AVAR15	F05/F07	17	80	4	0.90	1.10	0.04	0.94	70	14
	AVAR20	F05/F07	17	100	4	0.90	1.10	0.04	0.94	70	14
AVAR500	AVAR30	F07/F10	26	150	4	1.50	2.10	0.05	0.93	62	17
	AVAR40	F07/F10	26	175	4	1.50	2.10	0.05	0.93	62	17
	AVAR50	F07/F10	26	220	4	1.50	2.10	0.05	0.93	62	17

Note:Wiring and airbreak switch selection should refer to current(A) data of actuators.

Modulating

AVARM Smart
Quarter-turn
Electric Valve Actuator

AVARM Series Performance Data (380V 3Phase 50Hz Modulating)

Model	Specification	Flange (ISO 5211)	Time (S)	Torque (Nm)	Motor Poles	Rated Current (A)	Starting Current (A)	Rated Power (KW)	Power Factor	Efficiency (%)	Weight (KG)
AVARM200	AVARM5	F05/F07	20	50	4	0.48	1.50	0.05	0.80	60	14
	AVARM10	F05/F07	20	75	4	0.50	1.50	0.05	0.80	60	14
	AVARM15	F05/F07	20	100	4	0.52	1.50	0.05	0.80	60	14
	AVARM20	F05/F07	20	140	4	0.56	1.50	0.05	0.80	60	14
AVARM500	AVARM30	F07/F10	30	180	4	0.92	2.10	0.09	0.75	63	17
	AVARM40	F07/F10	30	240	4	0.96	2.10	0.09	0.75	63	17
	AVARM50	F07/F10	30	300	4	1.02	2.10	0.10	0.75	63	17

AVARM Series Performance Data (380V 3Phase 60Hz Modulating)

Model	Specification	Flange (ISO 5211)	Time (S)	Torque (Nm)	Motor Poles	Rated Current (A)	Starting Current (A)	Rated Power (KW)	Power Factor	Efficiency (%)	Weight (KG)
AVARM200	AVARM5	F05/F07	17	50	4	0.50	1.40	0.05	0.74	68	14
	AVARM10	F05/F07	17	75	4	0.52	1.40	0.05	0.74	68	14
	AVARM15	F05/F07	17	100	4	0.55	1.40	0.05	0.74	68	14
	AVARM20	F05/F07	17	140	4	0.60	1.40	0.05	0.74	68	14
AVARM500	AVARM30	F07/F10	26	180	4	0.86	1.80	0.09	0.78	65	17
	AVARM40	F07/F10	26	240	4	0.93	1.80	0.09	0.78	65	17
	AVARM50	F07/F10	26	300	4	1.05	1.80	0.09	0.78	65	17

Note:Wiring and airbreak switch selection should refer to current(A) data of actuators.

Modulating

AVARM Smart
Quarter-turn
Electric Valve Actuator

AVARM Series Performance Data (220V 1Phase 50Hz Modulating)

Model	Specification	Flange (ISO 5211)	Time (S)	Torque (Nm)	Motor Poles	Rated Current (A)	Starting Current (A)	Rated Power (KW)	Power Factor	Efficiency (%)	Weight (KG)
AVARM200	AVARM5	F05/F07	20	30	4	0.76	1.10	0.03	0.97	68	14
	AVARM10	F05/F07	20	40	4	0.76	1.10	0.03	0.97	68	14
	AVARM15	F05/F07	20	55	4	0.76	1.10	0.03	0.97	68	14
	AVARM20	F05/F07	20	70	4	0.76	1.10	0.03	0.97	68	14
AVARM500	AVARM30	F07/F10	30	100	4	1.22	2.00	0.05	0.95	63	17
	AVARM40	F07/F10	30	140	4	1.22	2.00	0.05	0.95	63	17
	AVARM50	F07/F10	30	180	4	1.22	2.00	0.05	0.95	63	17

AVARM Series Performance Data (220V 1Phase 60Hz Modulating)

Model	Specification	Flange (ISO 5211)	Time (S)	Torque (Nm)	Motor Poles	Rated Current (A)	Starting Current (A)	Rated Power (KW)	Power Factor	Efficiency (%)	Weight (KG)
AVARM200	AVARM5	F05/F07	17	30	4	0.82	1.00	0.04	0.95	71	14
	AVARM10	F05/F07	17	40	4	0.82	1.00	0.04	0.95	71	14
	AVARM15	F05/F07	17	55	4	0.82	1.00	0.04	0.95	71	14
	AVARM20	F05/F07	17	70	4	0.82	1.00	0.04	0.95	71	14
AVARM500	AVARM30	F07/F10	26	100	4	1.30	1.90	0.05	0.93	64	17
	AVARM40	F07/F10	26	140	4	1.30	1.90	0.05	0.93	64	17
	AVARM50	F07/F10	26	180	4	1.30	1.90	0.05	0.93	64	17

Note:Wiring and airbreak switch selection should refer to current(A) data of actuators.



Download Center:

<https://www.greatorkpartners.com/download>

GP

GREATORK® Partner

www.greatorkpartners.com



Global Headquarters

Tefulong Group Co., Ltd.
Tefulong(Shanghai) Technologies Co., Ltd.

Factory Address: No.950, Feidu Road,
Pudong New Area, Shanghai, China



Global Partnerships Division

Ranshine (Shanghai) Energy Technologies Co., Ltd.

Partner Office Address: Room 408, Building 9,
Guiguoyuan No.471 Guiping Road, Xuhui District,
Shanghai, China.



Global Partnerships Mail

partner@greatorkpartners.com



whatsapp

Global Service Hotline

+86 15601713000 Eric
+86 13901803381 David



GREATORK Partner