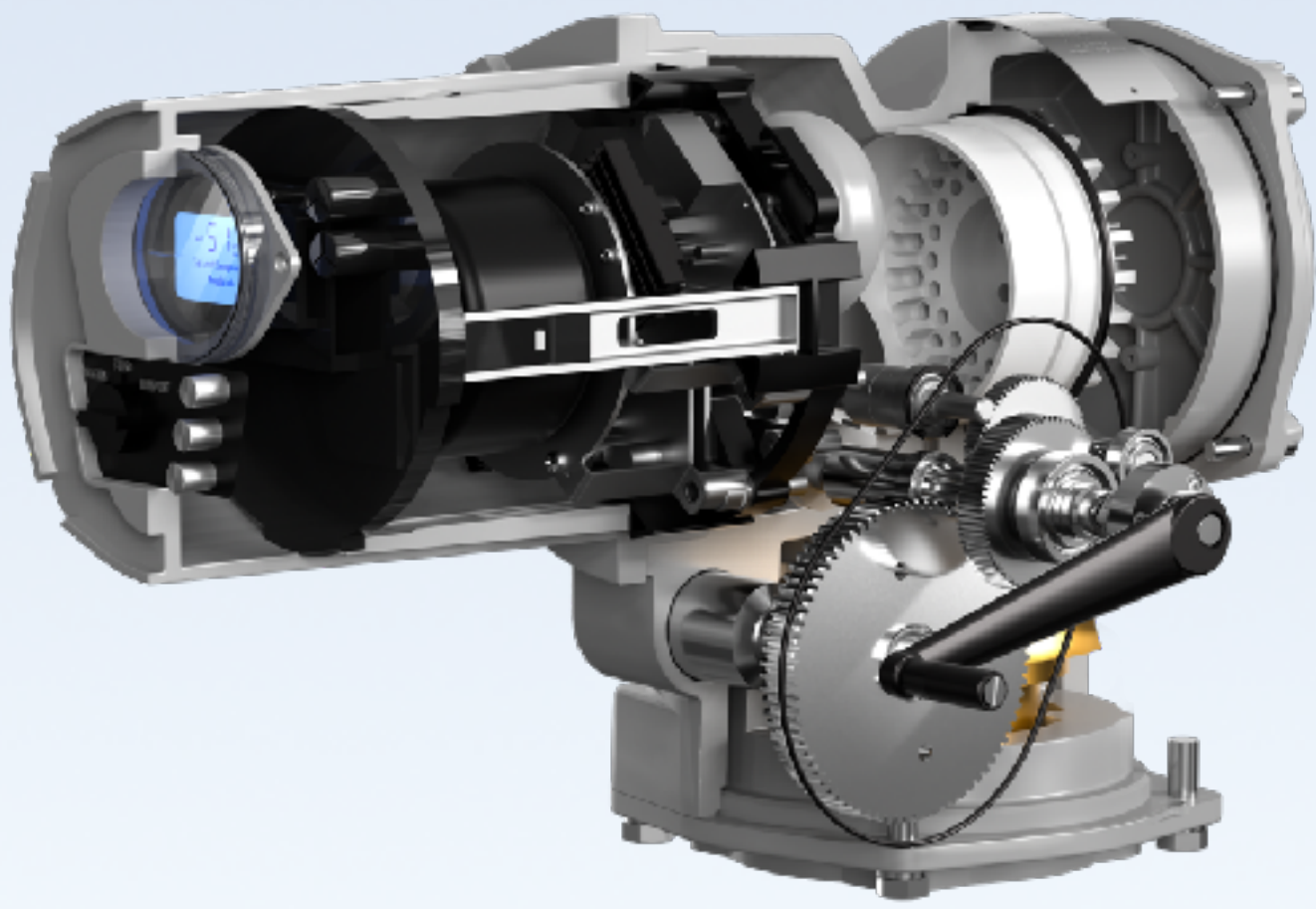


GREATORK Electric Actuator AVA Series Performance Data



AVAMD Linear



AVAT Quarter-turn



AVA Multi-turn



AVAR Smart Quarter-turn



More Download  www.greatorkpartners.com



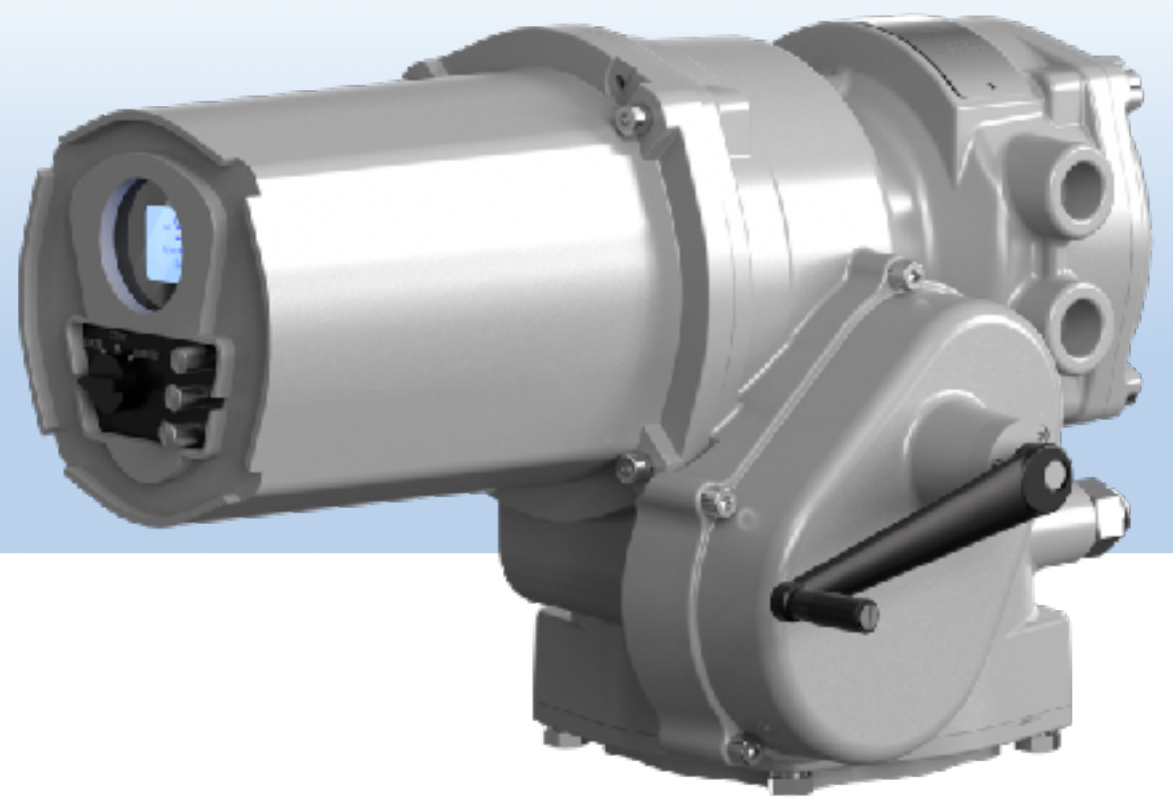
AVAT

Quarter-turn

Electric Valve Actuator

On/Off & Modulating

Technical Support



AVAT Series Performance Data (380V 3Phase 50Hz On/Off)

Model	Flange (ISO 5211)	Stem Dia (mm)		90°time (s)	Torque (Nm)	Motor Poles	Rated Current (A)	Starting Current (A)	Rated Power (KW)	Power Factor	Efficiency (%)	Weigh (KG)
		Key	Square									
AVAT01	F07	28	19	18-20	125	2	0.47	1.20	0.05	0.80	53	24
AVAT02	F07	28	19	18-20	250	2	0.49	1.20	0.05	0.80	53	24
	F10	42	27									
AVAT03	F10	42	27	26-30	500	2	0.53	1.30	0.06	0.78	56	35
AVAT04	F12	50	32	27-30	1000	2	0.56	1.30	0.06	0.78	56	35
	F14	60	36									
AVAT05	F12	50	32	46-50	1500	2	0.60	1.30	0.06	0.76	51	35
	F14	60	36									
AVAT06	F14	60	36	58-60	2000	2	0.62	1.30	0.06	0.76	51	35

AVAT Series Performance Data (380V 3Phase 60Hz On/Off)

Model	Flange (ISO 5211)	Stem Dia (mm)		90°time (s)	Torque (Nm)	Motor Poles	Rated Current (A)	Starting Current (A)	Rated Power (KW)	Power Factor	Efficiency (%)	Weigh (KG)
		Key	Square									
AVAT01	F07	28	19	16-18	125	2	0.50	1.20	0.07	0.72	67	24
AVAT02	F07	28	19	16-18	250	2	0.56	1.20	0.07	0.72	67	24
	F10	42	27									
AVAT03	F10	42	27	19-22	500	2	0.59	1.20	0.07	0.74	67	35
AVAT04	F12	50	32	23-26	1000	2	0.62	1.20	0.07	0.74	67	35
	F14	60	36									
AVAT05	F12	50	32	42-45	1500	2	0.65	1.20	0.08	0.76	66	35
	F14	60	36									
AVAT06	F14	60	36	45-50	2000	2	0.69	1.20	0.08	0.76	66	35

AVAT Series Performance Data (220V 1Phase 50Hz On/Off)

Model	Flange (ISO 5211)	Stem Dia (mm)		90°time (s)	Torque (Nm)	Motor Poles	Rated Current (A)	Starting Current (A)	Rated Power (KW)	Power Factor	Efficiency (%)	Weigh (KG)
		Key	Square									
AVAT01	F07	28	19	14-16	100	2	1.60	5.00	0.08	0.96	67	24
AVAT02	F07	28	19	18-20	200	2	1.60	5.00	0.08	0.96	67	24
	F10	42	27									
AVAT03	F10	42	27	18-20	400	2	1.86	5.00	0.09	0.96	69	35
AVAT04	F12	50	32	25-30	800	2	1.86	5.00	0.10	0.96	69	35
	F14	60	36									
AVAT05	F12	50	32	27-30	1200	2	1.70	5.00	0.10	0.96	68	35
	F14	60	36									
AVAT06	F14	60	36	58-62	1600	2	1.70	5.00	0.10	0.96	68	35

AVAT Series Performance Data (220V 1Phase 60Hz On/Off)

Model	Flange (ISO 5211)	Stem Dia (mm)		90°time (s)	Torque (Nm)	Motor Poles	Rated Current (A)	Starting Current (A)	Rated Power (KW)	Power Factor	Efficiency (%)	Weigh (KG)
		Key	Square									
AVAT01	F07	28	19	13-15	100	2	1.70	4.60	0.09	0.95	70	24
AVAT02	F07	28	19	16-18	200	2	1.70	4.60	0.09	0.95	70	24
	F10	42	27									
AVAT03	F10	42	27	16-18	400	2	1.98	4.60	0.10	0.95	72	35
AVAT04	F12	50	32	19-22	800	2	1.98	4.60	0.11	0.95	72	35
	F14	60	36									
AVAT05	F12	50	32	23-26	1200	2	1.92	4.60	0.10	0.94	73	35
	F14	60	36									
AVAT06	F14	60	36	45-50	1600	2	1.92	4.60	0.10	0.94	73	35

Modulating

AVATM
Quarter-turn
Electric Valve Actuator

AVATM Series Performance Data (380V 3Phase 50Hz Modulating)

Model	Model	Flange (ISO 5211)	Stem Dia (mm)		90°time (s)	Torque (Nm)	Motor Poles	Rated Current (A)	Starting Current (A)	Rated Power (KW)	Power Factor	Efficiency (%)
			Key	Square								
AVATM01	F07	28	19	18-20	125	2	0.42	1.10	0.05	0.80	57	24
AVATM02	F07	28	19	18-20	215	2	0.45	1.10	0.05	0.80	57	24
	F10	42	27									
AVATM03	F10	42	27	26-30	300	2	0.50	1.20	0.06	0.80	57	35
AVATM04	F12	50	32	27-30	700	2	0.53	1.20	0.06	0.79	59	35
	F14	60	36									
AVATM05	F12	50	32	46-50	1100	2	0.57	1.20	0.07	0.84	55	35
	F14	60	36									
AVATM06	F14	60	36	58-60	1500	2	0.60	1.20	0.07	0.84	55	35

AVATM Series Performance Data (380V 3Phase 60Hz Modulating)

Model	Model	Flange (ISO 5211)	Stem Dia (mm)		90°time (s)	Torque (Nm)	Motor Poles	Rated Current (A)	Starting Current (A)	Rated Power (KW)	Power Factor	Efficiency (%)
			Key	Square								
AVATM01	F07	28	19	16-18	125	2	0.45	1.10	0.07	0.75	70	24
AVATM02	F07	28	19	16-18	215	2	0.48	1.10	0.07	0.75	70	24
	F10	42	27									
AVATM03	F10	42	27	19-22	300	2	0.53	1.20	0.08	0.73	69	35
AVATM04	F12	50	32	23-26	700	2	0.58	1.20	0.08	0.73	69	35
	F14	60	36									
AVATM05	F12	50	32	42-45	1100	2	0.61	1.20	0.08	0.72	67	35
	F14	60	36									
AVATM06	F14	60	36	45-50	1500	2	0.66	1.20	0.08	0.72	67	35

Modulating

AVATM
Quarter-turn
Electric Valve Actuator

AVATM Series Performance Data (220V 1Phase 50Hz Modulating)

Model	Flange (ISO 5211)	Stem Dia (mm)		90°time (s)	Torque (Nm)	Motor Poles	Rated Current (A)	Starting Current (A)	Rated Power (KW)	Power Factor	Efficiency (%)	Weigh (KG)
		Key	Square									
AVAT01	F07	28	19	13-15	100	2	1.70	4.60	0.09	0.95	70	24
AVAT02	F07	28	19	16-18	200	2	1.70	4.60	0.09	0.95	70	24
	F10	42	27									
AVAT03	F10	42	27	16-18	400	2	1.98	4.60	0.10	0.95	72	35
AVAT04	F12	50	32	19-22	800	2	1.98	4.60	0.11	0.95	72	35
	F14	60	36									
AVAT05	F12	50	32	23-26	1200	2	1.92	4.60	0.10	0.94	73	35
	F14	60	36									
AVAT06	F14	60	36	45-50	1600	2	1.92	4.60	0.10	0.94	73	35

AVATM Series Performance Data (220V 1Phase 60Hz Modulating)

Model	Flange (ISO 5211)	Stem Dia (mm)		90°time (s)	Torque (Nm)	Motor Poles	Rated Current (A)	Starting Current (A)	Rated Power (KW)	Power Factor	Efficiency (%)	Weigh (KG)
		Key	Square									
AVATM01	F07	28	19	13-15	100	2	1.65	4.50	0.10	0.96	77	24
AVATM02	F07	28	19	16-18	150	2	1.65	4.50	0.10	0.96	77	24
	F10	42	27									
AVATM03	F10	42	27	16-18	200	2	1.85	4.50	0.12	0.95	78	35
AVATM04	F12	50	32	19-22	600	2	1.85	4.50	0.12	0.95	78	35
	F14	60	36									
AVATM05	F12	50	32	23-26	1000	2	1.76	4.50	0.12	0.95	79	35
	F14	60	36									
AVATM06	F14	60	36	45-50	1300	2	1.76	4.50	0.12	0.95	79	35



Download Center:

<https://www.greatorkpartners.com/download>

GP

GREATORK® Partner

www.greatorkpartners.com



Global Headquarters

Tefulong Group Co., Ltd.
Tefulong(Shanghai) Technologies Co., Ltd.

Factory Address: No.950, Feidu Road,
Pudong New Area, Shanghai, China



Global Partnerships Division

Ranshine (Shanghai) Energy Technologies Co., Ltd.

Partner Office Address: Room 408, Building 9,
Guiguoyuan No.471 Guiping Road, Xuhui District,
Shanghai, China.



Global Partnerships Mail

partner@greatorkpartners.com



whatsapp

Global Service Hotline

+86 15601713000 Eric
+86 13901803381 David



GREATORK Partner