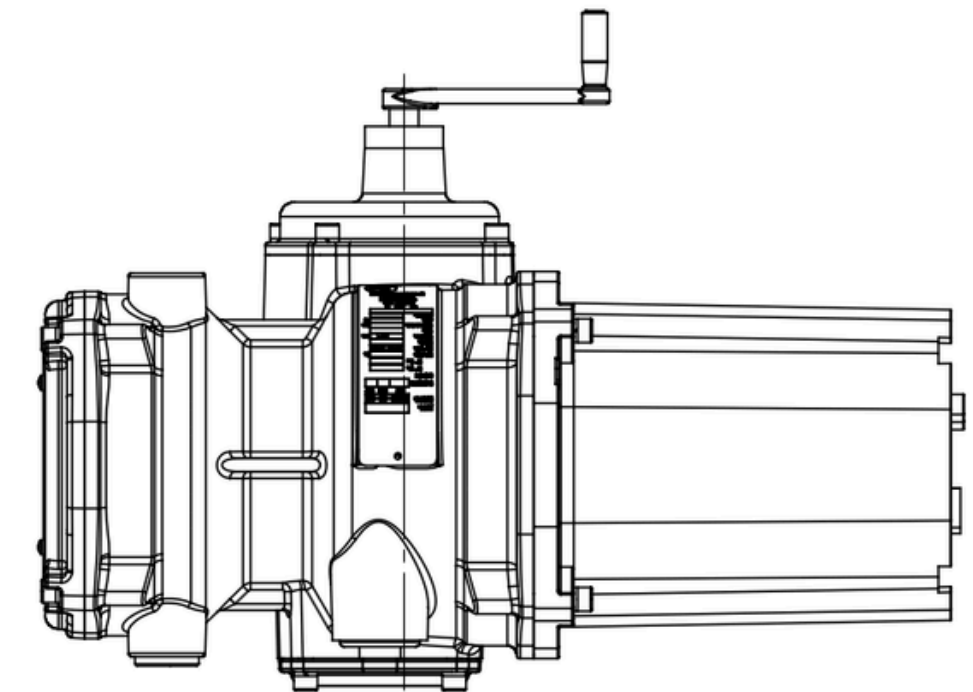
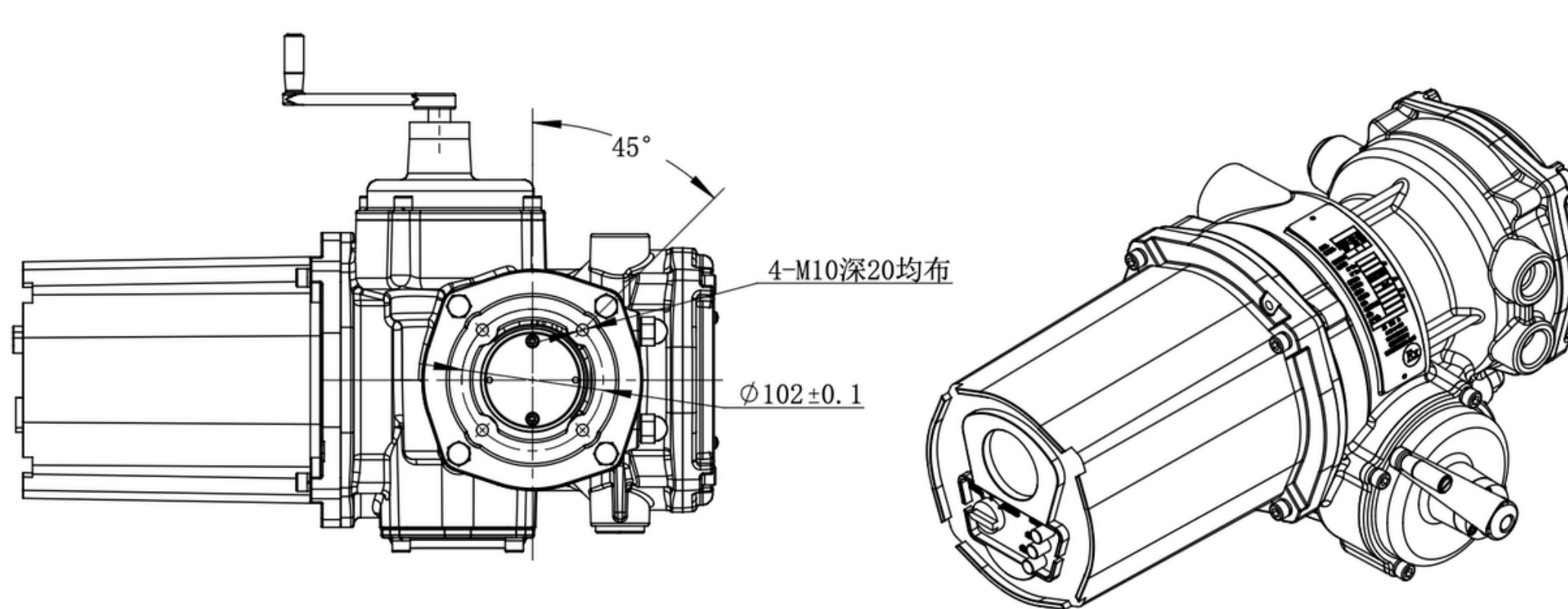


The Company reserves the right to alter drawings. For more information, please visit our website : www.greatorkpartners.com



AVAT Quarter-turn Electric Actuator
Model: AVAT 01 / 02 — F10