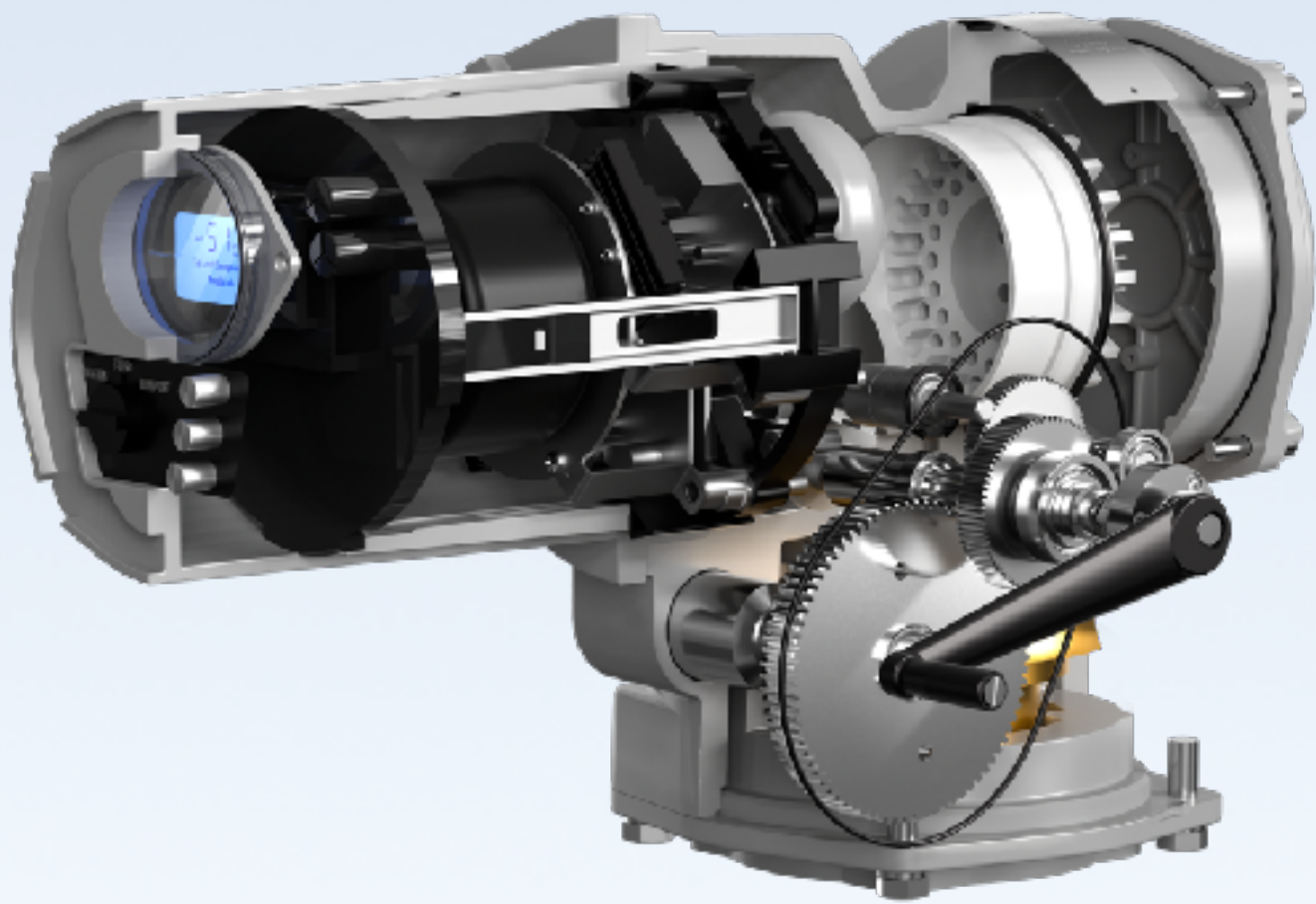


GREATORK Electric Actuator AVA Series Performance Data



AVAMD Linear



AVAT Quarter-turn



AVA Multi-turn



AVAR Smart Quarter-turn

More Download  www.greatorkpartners.com





AVAR Smart

Quarter-turn

Electric Valve Actuator

On/Off & Modulating

Technical Support



AVAR Series Performance Data (380V 3Phase 50Hz On/Off)

Model	Specification	Flange (ISO 5211)	Time (S)	Torque (Nm)	Motor Poles	Rated Current (A)	Starting Current (A)	Rated Power (KW)	Power Factor	Efficiency (%)	Weight (KG)
AVAR200	AVAR5	F05/F07	20	50	4	0.50	1.60	0.05	0.83	57	14
	AVAR10	F05/F07	20	100	4	0.53	1.60	0.05	0.83	57	14
	AVAR15	F05/F07	20	150	4	0.56	1.60	0.05	0.83	57	14
	AVAR20	F05/F07	20	200	4	0.62	1.60	0.05	0.83	57	14
AVAR500	AVAR30	F07/F10	30	300	4	1.03	2.20	0.08	0.74	61	17
	AVAR40	F07/F10	30	400	4	1.08	2.20	0.08	0.74	61	17
	AVAR50	F07/F10	30	500	4	1.12	2.20	0.09	0.74	61	17

AVAR Series Performance Data (380V 3Phase 60Hz On/Off)

Model	Specification	Flange (ISO 5211)	Time (S)	Torque (Nm)	Motor Poles	Rated Current (A)	Starting Current (A)	Rated Power (KW)	Power Factor	Efficiency (%)	Weight (KG)
AVAR200	AVAR5	F05/F07	17	50	4	0.51	1.50	0.05	0.72	67	14
	AVAR10	F05/F07	17	100	4	0.54	1.50	0.05	0.72	67	14
	AVAR15	F05/F07	17	150	4	0.58	1.50	0.05	0.72	67	14
	AVAR20	F05/F07	17	200	4	0.63	1.50	0.05	0.72	67	14
AVAR500	AVAR30	F07/F10	26	300	4	0.95	1.90	0.08	0.75	64	17
	AVAR40	F07/F10	26	400	4	1.02	1.90	0.08	0.75	64	17
	AVAR50	F07/F10	26	500	4	1.12	1.90	0.08	0.75	64	17

Note:Wiring and airbreak switch selection should refer to current(A) data of actuators.

AVAR Series Performance Data (220V 1Phase 50Hz On/Off)

Model	Specification	Flange (ISO 5211)	Time (S)	Torque (Nm)	Motor Poles	Rated Current (A)	Starting Current (A)	Rated Power (KW)	Power Factor	Efficiency (%)	Weight (KG)
AVAR200	AVAR5	F05/F07	20	40	4	0.86	1.20	0.03	0.96	52	14
	AVAR10	F05/F07	20	60	4	0.86	1.20	0.03	0.96	52	14
	AVAR15	F05/F07	20	80	4	0.86	1.20	0.03	0.96	52	14
	AVAR20	F05/F07	20	100	4	0.86	1.20	0.03	0.96	52	14
AVAR500	AVAR30	F07/F10	30	150	4	1.30	2.20	0.05	0.96	58	17
	AVAR40	F07/F10	30	175	4	1.30	2.20	0.05	0.96	58	17
	AVAR50	F07/F10	30	220	4	1.30	2.20	0.05	0.96	58	17

AVAR Series Performance Data (220V 1Phase 60Hz On/Off)

Model	Specification	Flange (ISO 5211)	Time (S)	Torque (Nm)	Motor Poles	Rated Current (A)	Starting Current (A)	Rated Power (KW)	Power Factor	Efficiency (%)	Weight (KG)
AVAR200	AVAR5	F05/F07	17	40	4	0.90	1.10	0.04	0.94	70	14
	AVAR10	F05/F07	17	60	4	0.90	1.10	0.04	0.94	70	14
	AVAR15	F05/F07	17	80	4	0.90	1.10	0.04	0.94	70	14
	AVAR20	F05/F07	17	100	4	0.90	1.10	0.04	0.94	70	14
AVAR500	AVAR30	F07/F10	26	150	4	1.50	2.10	0.05	0.93	62	17
	AVAR40	F07/F10	26	175	4	1.50	2.10	0.05	0.93	62	17
	AVAR50	F07/F10	26	220	4	1.50	2.10	0.05	0.93	62	17

Note:Wiring and airbreak switch selection should refer to current(A) data of actuators.

Modulating

AVARM Smart
Quarter-turn
Electric Valve Actuator

AVARM Series Performance Data (380V 3Phase 50Hz Modulating)

Model	Specification	Flange (ISO 5211)	Time (S)	Torque (Nm)	Motor Poles	Rated Current (A)	Starting Current (A)	Rated Power (KW)	Power Factor	Efficiency (%)	Weight (KG)
AVARM200	AVARM5	F05/F07	20	50	4	0.48	1.50	0.05	0.80	60	14
	AVARM10	F05/F07	20	75	4	0.50	1.50	0.05	0.80	60	14
	AVARM15	F05/F07	20	100	4	0.52	1.50	0.05	0.80	60	14
	AVARM20	F05/F07	20	140	4	0.56	1.50	0.05	0.80	60	14
AVARM500	AVARM30	F07/F10	30	180	4	0.92	2.10	0.09	0.75	63	17
	AVARM40	F07/F10	30	240	4	0.96	2.10	0.09	0.75	63	17
	AVARM50	F07/F10	30	300	4	1.02	2.10	0.10	0.75	63	17

AVARM Series Performance Data (380V 3Phase 60Hz Modulating)

Model	Specification	Flange (ISO 5211)	Time (S)	Torque (Nm)	Motor Poles	Rated Current (A)	Starting Current (A)	Rated Power (KW)	Power Factor	Efficiency (%)	Weight (KG)
AVARM200	AVARM5	F05/F07	17	50	4	0.50	1.40	0.05	0.74	68	14
	AVARM10	F05/F07	17	75	4	0.52	1.40	0.05	0.74	68	14
	AVARM15	F05/F07	17	100	4	0.55	1.40	0.05	0.74	68	14
	AVARM20	F05/F07	17	140	4	0.60	1.40	0.05	0.74	68	14
AVARM500	AVARM30	F07/F10	26	180	4	0.86	1.80	0.09	0.78	65	17
	AVARM40	F07/F10	26	240	4	0.93	1.80	0.09	0.78	65	17
	AVARM50	F07/F10	26	300	4	1.05	1.80	0.09	0.78	65	17

Note:Wiring and airbreak switch selection should refer to current(A) data of actuators.

Modulating

AVARM Smart
Quarter-turn
Electric Valve Actuator

AVARM Series Performance Data (220V 1Phase 50Hz Modulating)

Model	Specification	Flange (ISO 5211)	Time (S)	Torque (Nm)	Motor Poles	Rated Current (A)	Starting Current (A)	Rated Power (KW)	Power Factor	Efficiency (%)	Weight (KG)
AVARM200	AVARM5	F05/F07	20	30	4	0.76	1.10	0.03	0.97	68	14
	AVARM10	F05/F07	20	40	4	0.76	1.10	0.03	0.97	68	14
	AVARM15	F05/F07	20	55	4	0.76	1.10	0.03	0.97	68	14
	AVARM20	F05/F07	20	70	4	0.76	1.10	0.03	0.97	68	14
AVARM500	AVARM30	F07/F10	30	100	4	1.22	2.00	0.05	0.95	63	17
	AVARM40	F07/F10	30	140	4	1.22	2.00	0.05	0.95	63	17
	AVARM50	F07/F10	30	180	4	1.22	2.00	0.05	0.95	63	17

AVARM Series Performance Data (220V 1Phase 60Hz Modulating)

Model	Specification	Flange (ISO 5211)	Time (S)	Torque (Nm)	Motor Poles	Rated Current (A)	Starting Current (A)	Rated Power (KW)	Power Factor	Efficiency (%)	Weight (KG)
AVARM200	AVARM5	F05/F07	17	30	4	0.82	1.00	0.04	0.95	71	14
	AVARM10	F05/F07	17	40	4	0.82	1.00	0.04	0.95	71	14
	AVARM15	F05/F07	17	55	4	0.82	1.00	0.04	0.95	71	14
	AVARM20	F05/F07	17	70	4	0.82	1.00	0.04	0.95	71	14
AVARM500	AVARM30	F07/F10	26	100	4	1.30	1.90	0.05	0.93	64	17
	AVARM40	F07/F10	26	140	4	1.30	1.90	0.05	0.93	64	17
	AVARM50	F07/F10	26	180	4	1.30	1.90	0.05	0.93	64	17

Note:Wiring and airbreak switch selection should refer to current(A) data of actuators.



Download Center:

<https://www.greatorkpartners.com/download>

GP

GREATORK[®] Partner

www.greatorkpartners.com



Global Headquarters

Tefulong Group Co., Ltd.
Tefulong(Shanghai) Technologies Co., Ltd.

Factory Address: No.950, Feidu Road,
Pudong New Area, Shanghai, China



Global Partnerships Division

Ranshine (Shanghai) Energy Technologies Co., Ltd.

Partner Office Address: Room 408, Building 9,
Guiguoyuan No.471 Guiping Road, Xuhui District,
Shanghai, China.



Global Partnerships Mail

partner@greatorkpartners.com



whatsapp

Global Service Hotline

+86 15601713000 Eric
+86 13901803381 David



GREATORK Partner