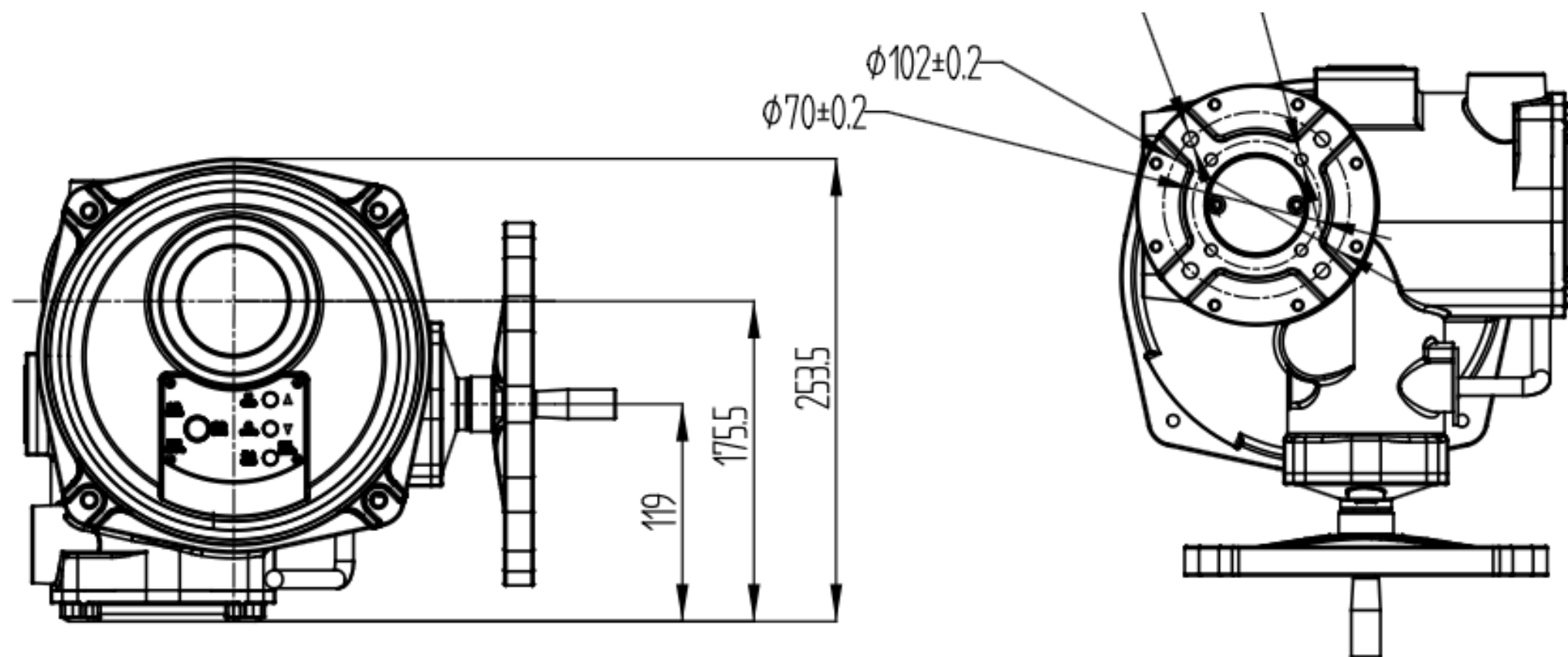
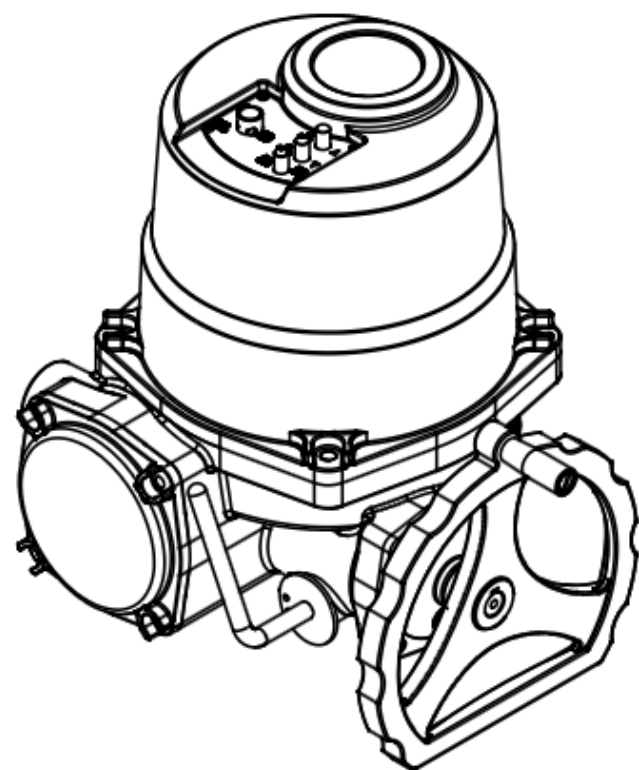


The Company reserves the right to alter drawings. For more information, please visit our website : [www.greatorkpartners.com](http://www.greatorkpartners.com)

电缆接口2-NPT1



**AVAR Smart Part-turn Electric Actuator**  
Model: AVAR 30 / 40 / 50 — F07 / F10