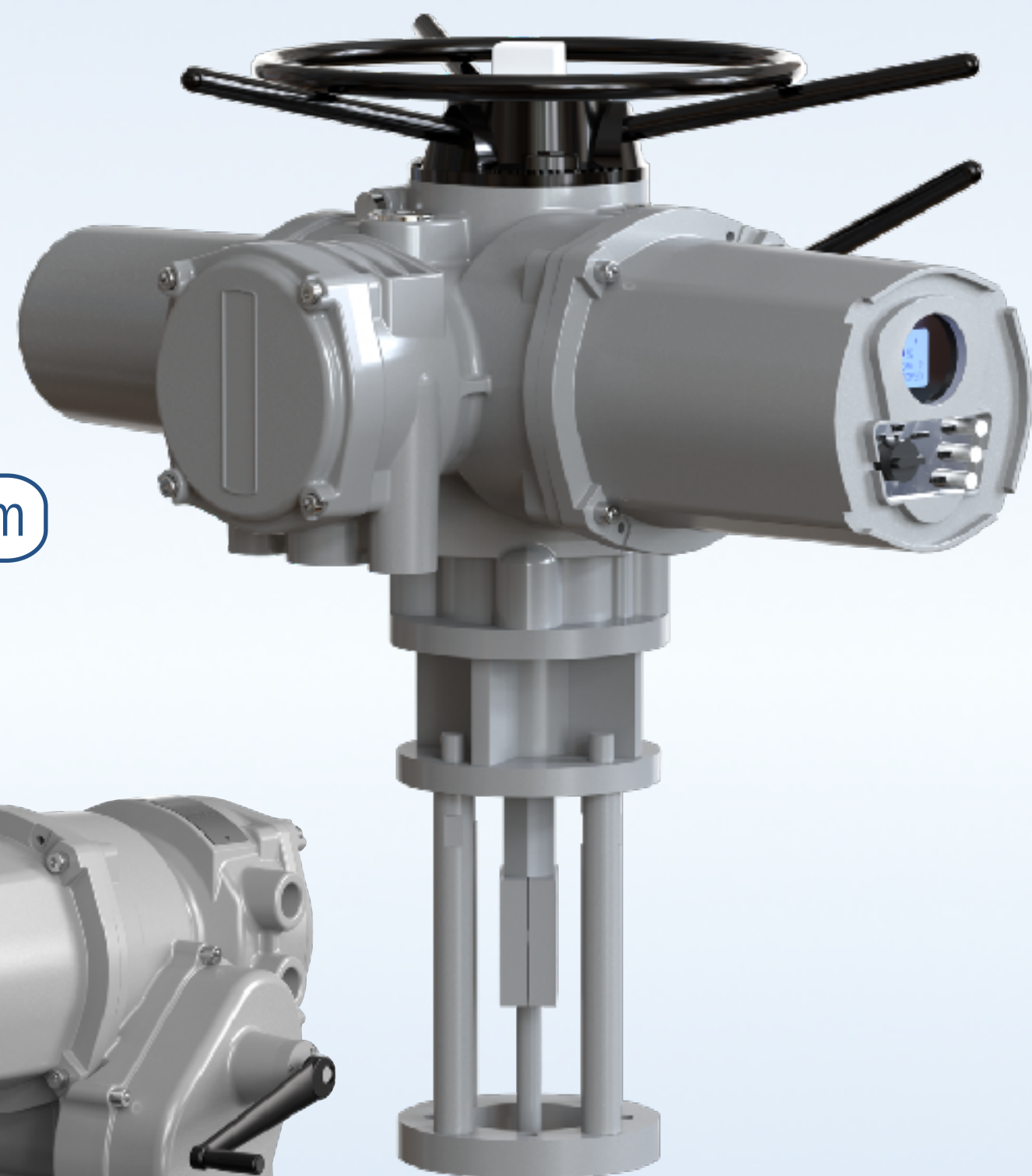
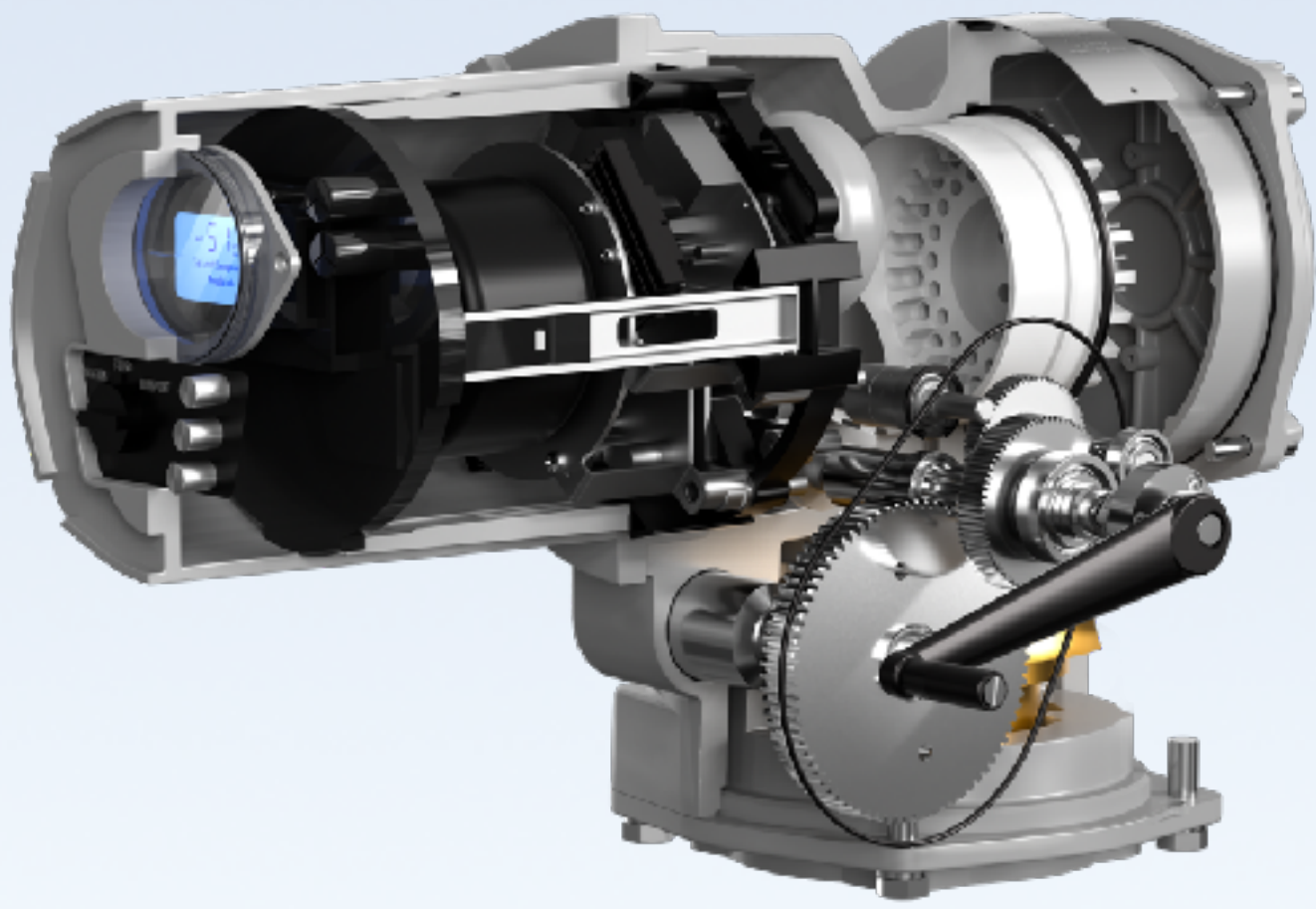


# GREATORK Electric Actuator AVA Series Performance Data



*AVAMD Linear*



*AVAT Quarter-turn*



*AVA Multi-turn*



*AVAR Smart Quarter-turn*

More Download  [www.greatorkpartners.com](http://www.greatorkpartners.com)





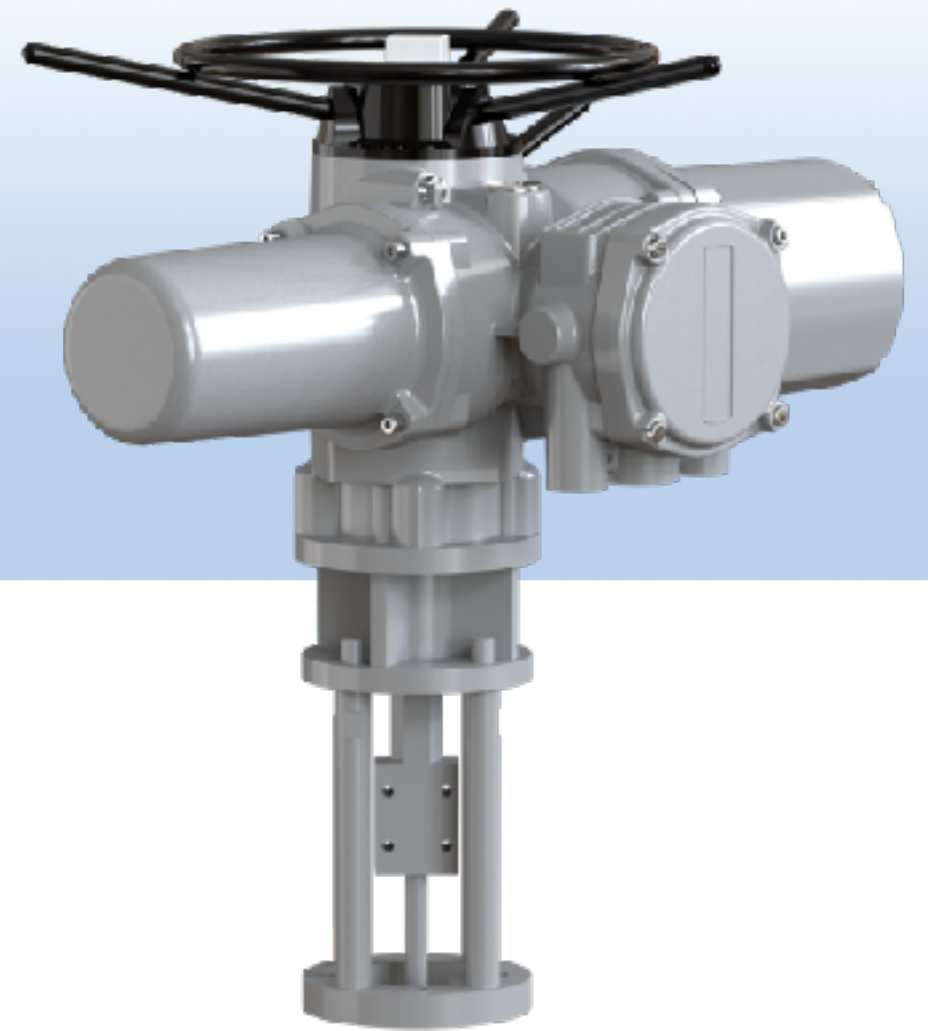
AVAMD

**Linear**

Electric Valve Actuator

**Modulating**

**Technical Support**



# Modulating

AVAMD  
Linear  
Electric Valve Actuator

## AVAMD Series Performance Data (380V 3Phase 50Hz) - AVAMD 01 / 03 / 04 / 05

Model	AVAMD01			AVAMD03		
Flange	F10			F10		
Worm shaft diameter/ thread	25/3			25/3		
Max.Linear stroke	115					
Speed(rpm)	Linear speed (mm/sec)	Modulating Thrust(KN)	Rating Seat Thrust(KN)	Linear speed (mm/sec)	Modulating Thrust(KN)	Rating Seat Thrust(KN)
18	0.9	8.1	16.1	0.9	15.9	28.59
24	1.2	8.1	16.1	1.2	15.9	25.42
36	1.8	7.9	15.0	1.8	14.3	25.42
48	2.4	7.7	14.7	2.4	12.7	22.26
72	-	-	-	-	-	-

Model	AVAMD04			AVAMD04		
Flange	F14			F14		
Worm shaft diameter/ thread	33/7			38/15		
Max.Linear stroke	115					
Speed(rpm)	Linear speed (mm/sec)	Modulating Thrust(KN)	Rating Seat Thrust(KN)	Linear speed (mm/sec)	Modulating Thrust(KN)	Rating Seat Thrust(KN)
18	2.1	24.26	36.4	5.4	16.7	25.1
24	2.8	24.26	36.4	7.2	16.7	25.1
36	4.2	20.22	24.3	10.8	13.9	16.7
48	5.6	16.17	20.2	14.4	11.1	13.9
72	8.4	14.15	16.1	21.6	8.9	11.1

Model	AVAMD05					
Flange	F14					
Worm shaft diameter/ thread	33/7			38/15		
Max.Linear stroke	115					
Speed(rpm)	Linear speed (mm/sec)	Modulating Thrust(KN)	Rating Seat Thrust(KN)	Linear speed (mm/sec)	Modulating Thrust(KN)	Rating Seat Thrust(KN)
18	2.5	45.5	60.7	5.4	31.3	41.7
24	3.4	45.5	60.7	7.3	31.3	41.7
36	5.0	38.4	48.5	10.8	26.4	33.3
48	6.8	30.3	40.4	14.4	20.85	27.8
72	10.1	30.3	40.4	21.6	20.85	27.8



Download Center:

<https://www.greatorkpartners.com/download>

# GP

**GREATORK**® Partner

[www.greatorkpartners.com](http://www.greatorkpartners.com)



## Global Headquarters

Tefulong Group Co., Ltd.  
Tefulong(Shanghai) Technologies Co., Ltd.

Factory Address: No.950, Feidu Road,  
Pudong New Area, Shanghai, China



## Global Partnerships Division

Ranshine (Shanghai) Energy Technologies Co., Ltd.

Partner Office Address: Room 408, Building 9,  
Guiguoyuan No.471 Guiping Road, Xuhui District,  
Shanghai, China.



## Global Partnerships Mail

[partner@greatorkpartners.com](mailto:partner@greatorkpartners.com)



whatsapp

## Global Service Hotline

+86 15601713000 Eric  
+86 13901803381 David



**GREATORK Partner**